

### GRUNDFOS COMFORT

The water-conduction part of the pump is hermetically separated from the stator with a stainless steel spherical separator. The motor can be separated from the pump housing, enabling easy maintenance and replacement.

GRUNDFOS COMFORT is supplied with isolating shells, and BUT version with 24 hour timer and built-in thermostat.

The built-in timer enables the pump to start and stop automatically at set intervals of minimum 20 minutes.

The built-in thermostat can be set to stop the pump at a preset liquid temperature.

#### Applications

- domestic hot water systems in single and two - family houses
- small heating systems
- cooling and air-conditioning systems.

#### Pumped liquids

- thin, clean, non-aggressive and non-explosive liquids without solid particles or fibres
- cooling liquids, not containing mineral oil
- domestic hot water
- softened water.

#### Motor

Enclosure class: IP42

Insulation class: F



#### Ambient and liquid temperatures

Liquid Temperature: +2°C to +95°C

It is recommended to keep the operating temperature as low as possible (e.g. 65°C) to avoid lime precipitation.

The ambient temperature should always be lower than the liquid temperature, otherwise condensation may form in the stator housing.

#### Maximum system pressure

PN 10: 1.0 MPa (10 bar)

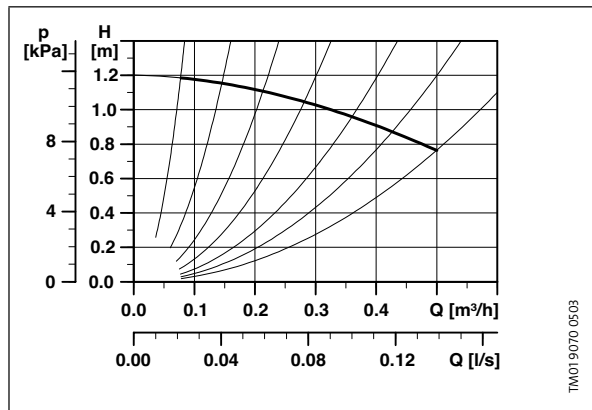
#### Inlet pressure

To avoid cavitation noise and damage to the pump bearing at high temperatures, the following minimum pressure is required at the pump suction port.

Liquid temperature	65°C
Minimum Inlet pressure	2.8 m head
	0.27 bar

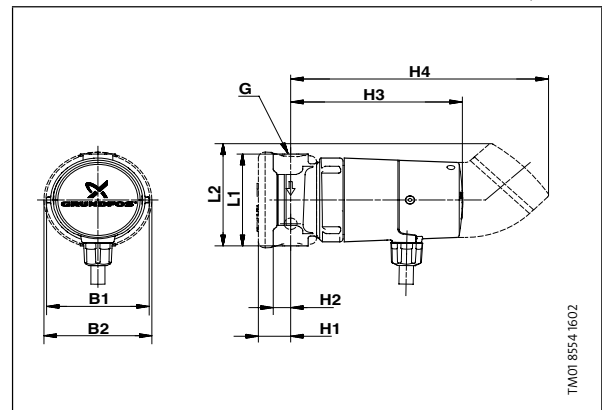
### UP 15-14

80



$P_1$ [W]	$I_n$ [A]
25	0.11

1 x 240 V, 50 Hz



Connections: 1/2" RpF  
 System Pressure: Max. 6 bar  
 Liquid temperature: +2°C to +95°C (TF 95)

Pump type	Dimensions [mm]									Weights [kg]		Ship. Vol. [m³]
	L1	L2	H1	H2	H3	H4	B1	B2	G	Net	Gross	
UPA 15-14B	80	-	25	13.5	133	-	73	84	Rp ½	1.00	1.12	0.0026
UPA 15-14BUT	80	90	25	13.5	-	205	73	84	Rp ½	1.15	1.31	0.0034